



JN0-348^{Q&As}

Enterprise Routing and Switching, Specialist

Pass Juniper JN0-348 Exam with 100% Guarantee

Free Download Real Questions & Answers **PDF** and **VCE** file from:

<https://www.lead4pass.com/jn0-348.html>

100% Passing Guarantee
100% Money Back Assurance

Following Questions and Answers are all new published by Juniper
Official Exam Center

-  **Instant Download** After Purchase
-  **100% Money Back** Guarantee
-  **365 Days** Free Update
-  **800,000+** Satisfied Customers





QUESTION 1

Which statement is true about IP-IP tunnels?

- A. Intermediate devices must have a route to the destination address of the traffic being tunneled.
- B. Intermediate devices must have a route to both the tunnel source address and the tunnel destination address.
- C. Intermediate devices must have a route to the tunnel destination address but do not require a route to the tunnel source address.
- D. Intermediate devices must have a route to the tunnel source address but do not require a route to the tunnel destination address.

Correct Answer: C

QUESTION 2

Which statement is correct about trunk ports?

- A. Trunk ports must have an IRB assigned to accept VLAN tagged traffic.
- B. By default, trunk ports accept only VLAN tagged traffic.
- C. By default, a trunk port can have only a single VLAN assigned.
- D. trunk ports must have an IRB assigned to accept untagged traffic.

Correct Answer: B

QUESTION 3

Which statement about configuring persistent MAC learning is correct?

- A. Persistent MAC learning requires 802.1X authentication.
- B. Persistent MAC learning can be configured on access mode interfaces.
- C. Persistent MAC learning flushes dynamically learned MAC addresses on reboots.
- D. Persistent MAC learning cannot be configured on redundant trunk groups.

Correct Answer: B

QUESTION 4

You configured a GRE tunnel that traverses a path using default MTU settings. You want to ensure that packets are not dropped or fragmented.



In this scenario, what is the maximum packet size that would traverse the GRE tunnel?

- A. 1500
- B. 1400
- C. 1524
- D. 1476

Correct Answer: D

QUESTION 5

Click the Exhibit button.

```
[edit routing-options]
user@host# show
static {
  defaults {
    preference 180;
  }
  route 0.0.0.0/0 {
    next-hop 172.30.25.1;
    qualified-next-hop 172.30.25.5 {
      preference 7;
    }
  }
}
```

Which statement is true about the configuration shown in the exhibit?

- A. The preference for the 172.30.25.1 next hop is 5.
- B. The preferred next hop is 172.30.25.5.
- C. The preference for the 172.30.25.1 next hop is 7.
- D. 172.30.25.1 is the preferred next hop.

Correct Answer: B



QUESTION 6

Which two OSPF header fields must match to form an adjacency over a broadcast connection? (Choose two.)

- A. router priority
- B. options
- C. hello interval
- D. neighbor

Correct Answer: BC

QUESTION 7

Click the Exhibit button.

```
{master:0}
user@switch> show spanning-tree interface

Spanning tree interface parameters for instance 0

Interface      Port ID      Designated      Designated      Port      State  Role
                port ID      port ID         bridge ID      Cost
ge-0/0/8.0     128:521     128:521         8192.50c58daedb41  200  FWD   DESG
ge-0/0/9.0     64:522      64:522          8192.50c58daedb41  2000 FWD   DESG
ge-0/0/14.0    240:527     240:527         8192.50c58daedb41  20000 FWD   DESG
ge-0/0/15.0    128:528     128:528         8192.50c58daedb41  200000 FWD   DESG
```

Based on the output shown in the exhibit, which statement is correct?

- A. This switch has been elected as the root bridge
- B. This switch has a bridge priority of 32k
- C. The ge-0/0/15 interface is using the default port cost
- D. The ge-0/0/9 interface is using the default priority value

Correct Answer: A

QUESTION 8

Which device is used to separate collision domains?

- A. switch



B. router

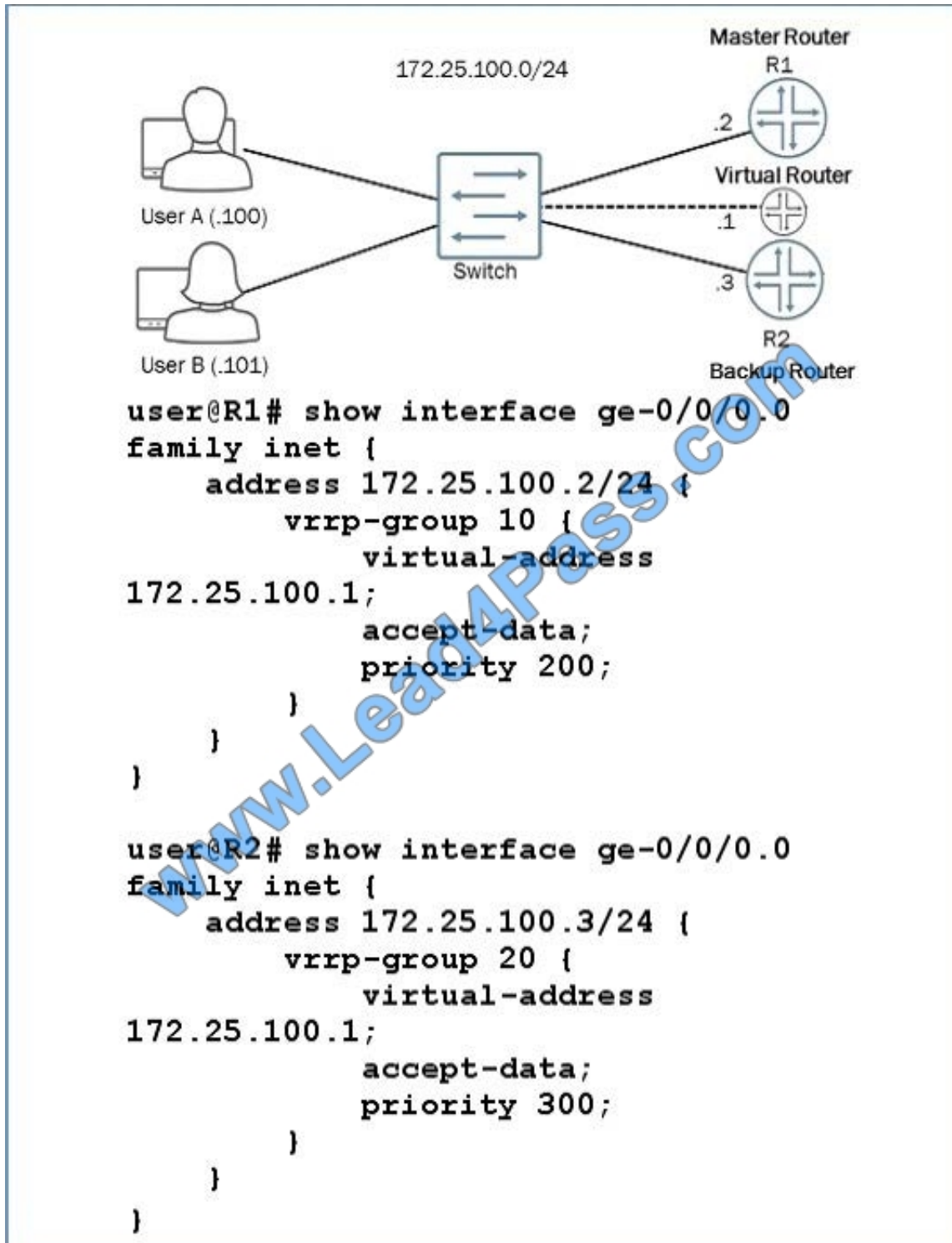
C. hub

D. firewall

Correct Answer: A

QUESTION 9

Click the Exhibit button.



You are attempting to set up VRRP with R1 and R2 being participating members. You want R1 to be the master router and R2 to be the backup router with the virtual router they create being at address 172.25.100.1. The virtual router is not pinging from either User A or User B.

Referring to the exhibit, what must be done to correct the problem?

- A. A VRRP policy is needed on R1 and R2.
- B. The VRRP group value on R1 and R2 must match.



- C. The VRRP priority value on R1 and R2 must match.
- D. A VRRP authentication type value is needed on R1 and R2.

Correct Answer: B

QUESTION 10

Your network connections to the Internet through two different ISPs using EBGP. You must ensure that ISP1 is the primary path used for all traffic entering your network while using ISP2 as a backup path.

In this scenario, which statement is correct?

- A. You should use a lower MED value on routes sent to ISP1.
- B. You should assign a higher local preference on routes that you are sending to ISP1.
- C. You should change the next hop for all routes sent to ISP2.
- D. You should prepend your local AS number three times on routes that you are sending to ISP2.

Correct Answer: D

QUESTION 11

You must implement filter-based forwarding. You need to direct traffic from the 192.168.1.0/24 through vr1 and traffic from 10.210.0.128/26 through vr2.

Which configuration is correct in this scenario?



```
A. firewall {
  family inet {
    filter fbF-filter1 {
      term match-192-subnet {
        from {
          source-address {
            192.168.1.0/26;
          }
        }
        then {
          routing-instance vr2;
        }
      }
      term match-10-subnet {
        from {
          source-address {
            10.210.0.128/26;
          }
        }
        then {
          routing-instance vr1;
        }
      }
    }
  }
}

B. firewall {
  family inet {
    filter fbF-filter1 {
      term match-192-subnet {
        from {
          source-address {
            192.168.0.0/24;
          }
        }
        then {
          routing-instance vr1;
        }
      }
      term match-10-subnet {
        from {
          source-address {
            10.210.0.128/27;
          }
        }
        then {
          routing-instance vr2;
        }
      }
    }
  }
}

C. firewall {
  family inet {
    filter fbF-filter1 {
      term match-192-subnet {
        from {
          source-address {
            192.168.2.0/26;
          }
        }
        then {
          routing-instance vr2;
        }
      }
      term match-10-subnet {
        from {
          source-address {
            10.210.1.128/26;
          }
        }
        then {
          routing-instance vr1;
        }
      }
    }
  }
}

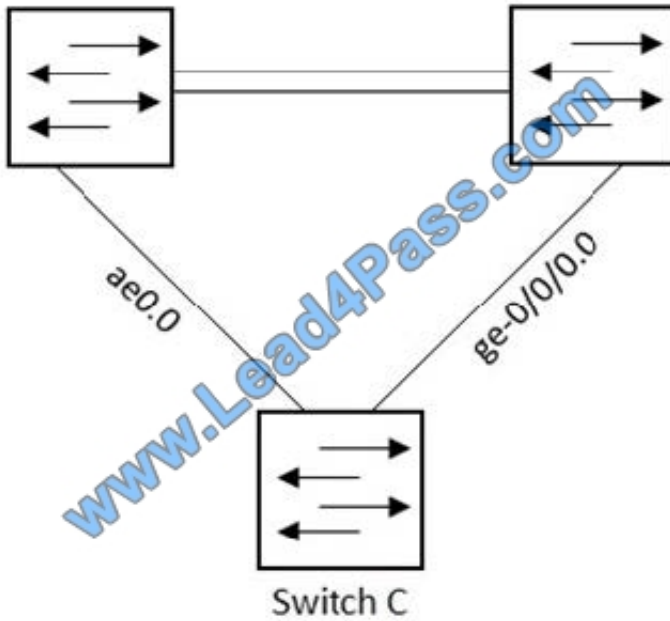
D. firewall {
  family inet {
    filter fbF-filter1 {
      term match-192-subnet {
        from {
          source-address {
            192.168.1.0/24;
          }
        }
        then {
          routing-instance vr1;
        }
      }
      term match-10-subnet {
        from {
          source-address {
            10.210.0.128/26;
          }
        }
        then {
          routing-instance vr2;
        }
      }
    }
  }
}
```




A. B. C. D.

Correct Answer: D

QUESTION 12



Referring to the exhibit, which configuration will force traffic to always use ae0.0 as long as it is active?



- A.
- ```
user@switchC# show switch-options
redundant-trunk-group {
 group rtg1 {
 interface ge-0/0/0.0;
 interface ae0.0 {
 minimum-links 2;
 }
 }
}
```
- B.
- ```
user@switchC# show switch-options
redundant-trunk-group {
  group rtg1 {
    interface ge-0/0/0.0 {
      priority 200;
    }
    interface ae0.0 {
      priority 254;
    }
  }
}
```
- C.
- ```
user@switchC# show switch-options
redundant-trunk-group {
 group rtg1 {
 interface ge-0/0/0.0;
 interface ae0.0 {
 primary;
 }
 }
}
```
- D.
- ```
user@switchC# show switch-options
redundant-trunk-group {
  group rtg1 {
    interface ge-0/0/0.0 {
      track {
        interface ae0.0;
      }
    }
    interface ae0.0;
  }
}
```

A. B. C. D.

Correct Answer: C



QUESTION 13

Which two statements about DHCP snooping are correct? (Choose two.)

- A. DHCP snooping inspects all DHCP packets on untrusted ports.
- B. By default, the Junos OS treats access ports as trusted and trunk ports as untrusted.
- C. DHCP snooping uses ARP to add statically defined IP addresses to its database.
- D. The DHCP database maps IP addresses, MAC addresses, and the associated VLAN.

Correct Answer: AD

[JN0-348 Study Guide](#)

[JN0-348 Exam Questions](#)

[JN0-348 Braindumps](#)



To Read the [Whole Q&As](#), please purchase the [Complete Version](#) from [Our website](#).

Try our product !

100% Guaranteed Success
100% Money Back Guarantee
365 Days Free Update
Instant Download After Purchase
24x7 Customer Support
Average 99.9% Success Rate
More than 800,000 Satisfied Customers Worldwide
Multi-Platform capabilities - [Windows](#), [Mac](#), [Android](#), [iPhone](#), [iPod](#), [iPad](#), [Kindle](#)

We provide exam PDF and VCE of Cisco, Microsoft, IBM, CompTIA, Oracle and other IT Certifications. You can view Vendor list of All Certification Exams offered:

<https://www.lead4pass.com/allproducts>

Need Help

Please provide as much detail as possible so we can best assist you.
To update a previously submitted ticket:



 <p>One Year Free Update Free update is available within One Year after your purchase. After One Year, you will get 50% discounts for updating. And we are proud to boast a 24/7 efficient Customer Support system via Email.</p>	 <p>Money Back Guarantee To ensure that you are spending on quality products, we provide 100% money back guarantee for 30 days from the date of purchase.</p>	 <p>Security & Privacy We respect customer privacy. We use McAfee's security service to provide you with utmost security for your personal information & peace of mind.</p>
---	---	--

Any charges made through this site will appear as Global Simulators Limited.
All trademarks are the property of their respective owners.
Copyright © lead4pass, All Rights Reserved.