



# JN0-681<sup>Q&As</sup>

New Data Center, Professional

## Pass Juniper JN0-681 Exam with 100% Guarantee

Free Download Real Questions & Answers **PDF** and **VCE** file from:

<https://www.lead4pass.com/jn0-681.html>

100% Passing Guarantee  
100% Money Back Assurance

Following Questions and Answers are all new published by Juniper  
Official Exam Center

-  **Instant Download** After Purchase
-  **100% Money Back** Guarantee
-  **365 Days** Free Update
-  **800,000+** Satisfied Customers





### QUESTION 1

You are designing a Layer 3 fabric underlay using EBGP. You will implement an EVPN-signaled VXLAN overlay on the Layer 3 fabric.

In this scenario, what must you do in the underlay to ensure that the VXLAN overlay will be able to function properly?

- A. The underlay should advertise the host-connected interfaces on all leaf devices.
- B. Each device in the underlay should advertise its loopback address.
- C. The underlay should be configured with a separate VRF for each potential tenant.
- D. The underlay should support the PIM protocol.

Correct Answer: B

---

### QUESTION 2

Which two statements define the use of route targets and route distinguishers in an EVPN? (Choose two.)

- A. Route targets ensure that routes from different clients remain unique within the data center domain.
- B. Route targets identify the VRF into which the route should be placed.
- C. Route distinguishers ensure that routes from different clients remain unique within the data center domain.
- D. Route distinguishers identify the VRF into which the route should be placed.

Correct Answer: BC

---

### QUESTION 3

Your colleague has begun working on the base configuration for an active-active multihomed EVPN connection shown in the exhibit.



PE1

```
set interfaces ge-0/0/4 vlan-tagging
set interfaces ge-0/0/4 encapsulation flexible-
ethernet-services
set interfaces ge-0/0/4 esi
00:00:00:00:00:00:00:00:00:00
set interfaces ge-0/0/4 esi all-active
set interfaces ge-0/0/4 unit 0 encapsulation
vlan-bridge
set interfaces ge-0/0/4 unit 0 vlan-id 300
```

PE2

```
set interfaces ge-0/0/4 vlan-tagging
set interfaces ge-0/0/4 encapsulation flexible-
ethernet-services
set interfaces ge-0/0/4 esi
00:22:44:66:88:00:22:44:66:88
set interfaces ge-0/0/4 esi single-active
set interfaces ge-0/0/4 unit 0 encapsulation
vlan-bridge
set interfaces ge-0/0/4 unit 0 vlan-id 300
```

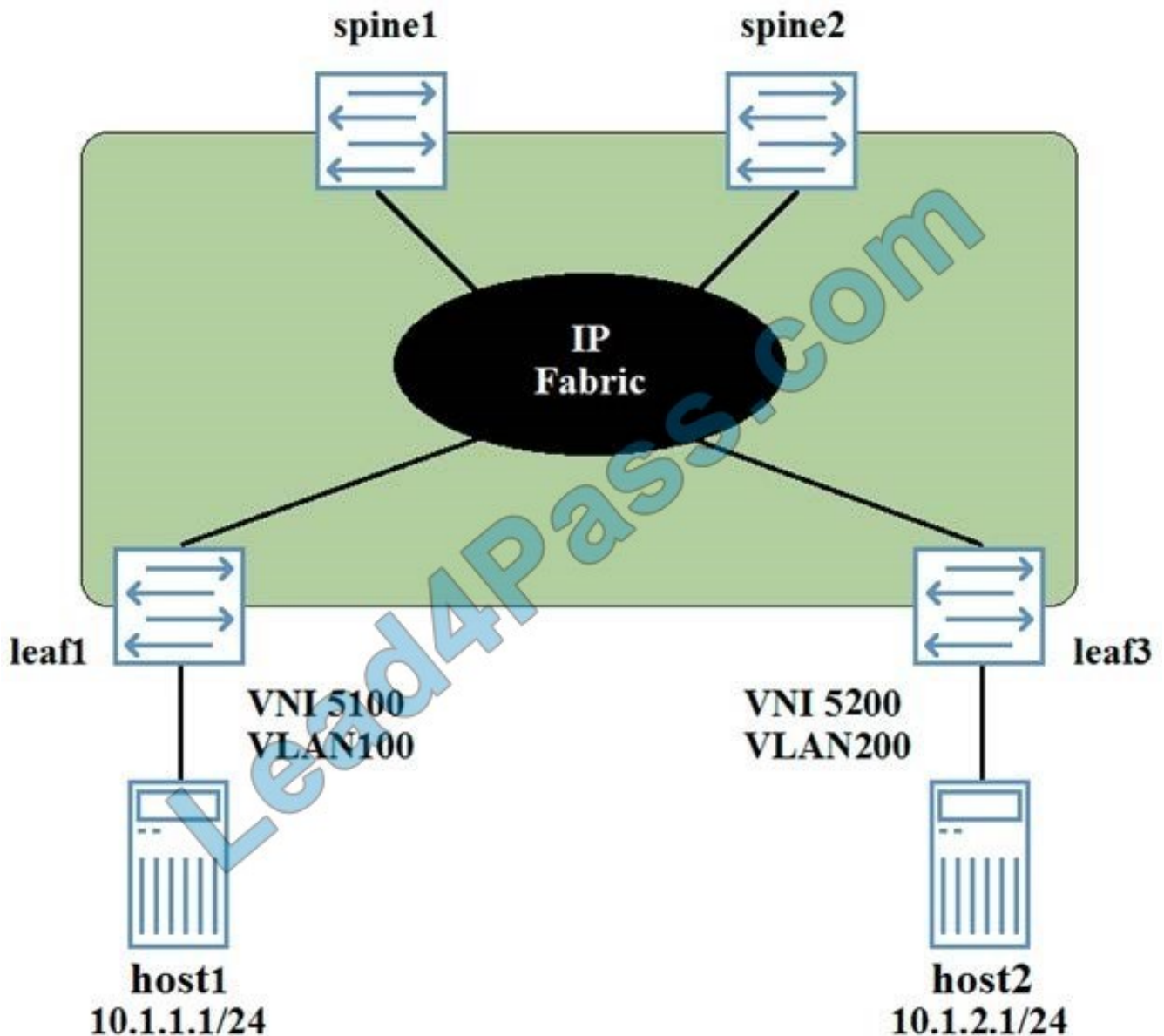
Which two actions will ensure a successful implementation? (Choose two.)

- A. Change the ESI mode on PE1 to single-active.
- B. Change the ESI mode on PE2 to all-active.
- C. Change the ESI value on the PE2 device to 00:00:00:00:00:00:00:00:00:00.
- D. Change the ESI value on the PE1 device to 00:22:44:66:88:00:22:44:66:88.

Correct Answer: BD

#### QUESTION 4

Host1 and host2 are connected to an EVPN signaled VXLAN overlay, and must have Layer 3 connectivity. The VNI and VLAN assignments are shown in the exhibit.



In this scenario, which two statements are true? (Choose two.)

- A. The ESI assigned to the host1 link will be different from the ESI assigned to the host2 link.
- B. The VNI assigned to the host1 link must be the same as the VNI assigned to the host2 link.
- C. A Layer 3 gateway can be configured on the spine devices.
- D. A Layer 3 gateway can be configured on the leaf devices.

Correct Answer: CD

#### QUESTION 5

You are troubleshooting an L3VPN that is part of an EVPN/MPLS DCI. You notice that the EVPN overlay BGP session toward 10.29.50.4 is unable to establish.



```
VPN.inet.0: 15 destinations, 16 routes (15 active,
0 holddown, 1 hidden)
  10.29.50.4/32 (2 entries, 1 announced)
    Import Accepted
    Route Distinguisher: 65000:12345
    VPN Label: 16
    Nexthop: 192.168.5.5
    MED: 3
    Localpref: 100
    AS path: I
    Communities: target:65000:12345 rte-
type:0.0.0.0:1:0
```

Why is the BGP session failing to establish?

- A. The vrf-table-label value is not configured in the remote PE.
- B. The route-distinguisher value on the local PE is incorrect.
- C. There is no route for 192.168.5.5 in inet.3.
- D. There is no route for 192.168.5.5 in VPN.inet.0.

Correct Answer: A

#### QUESTION 6

You are configuring VXLAN, and you must ensure that all switches for the multicast groups advertise their existence and learn about other VTEPs.

In this scenario, which protocol will accomplish this task?

- A. OSPF
- B. BGP
- C. EVPN
- D. PIM

Correct Answer: C

#### QUESTION 7

A VXLAN adds 50 to 54 bytes of extra header information to an Ethernet frame.



In this scenario, how would you accommodate this increase?

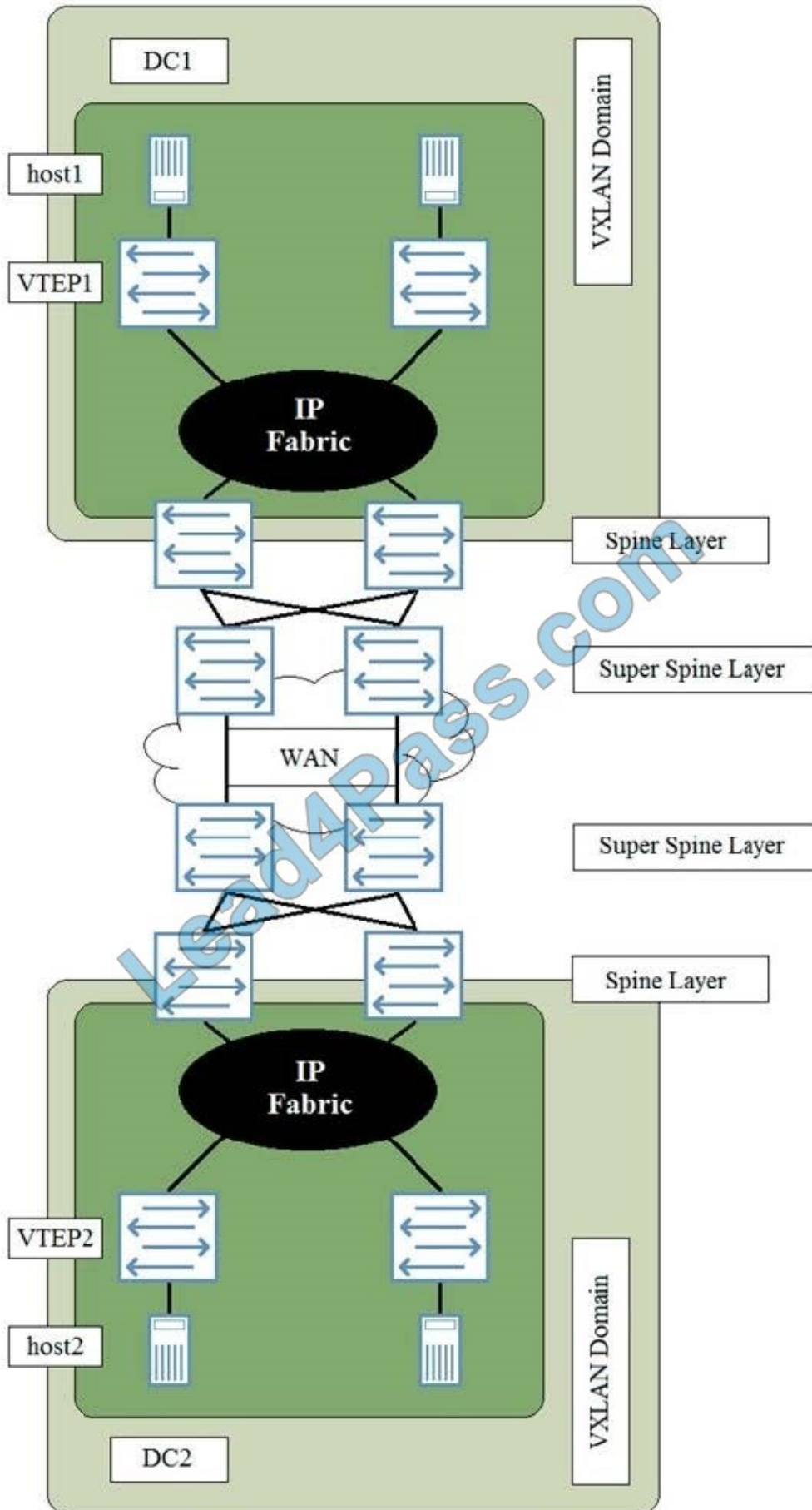
- A. Decrease the number VXLANs used.
- B. Increase the MTU on the physical interface connected to the VXLAN network.
- C. Only use switches as VTEPs.
- D. Increase the MTU on the VTEP interface connected to the VXLAN network.

Correct Answer: B

---

### QUESTION 8

You have deployed two data centers that require a Layer 2 stretch between host1 and host2.





Referring to the exhibit, what does a Layer 2 stretch require?

- A. a VXLAN tunnel originating on the Super Spine Layer in DC1 to the Super Spine Layer in DC2.
- B. a VXLAN tunnel originating on VTEP1 to VTEP2.
- C. a VXLAN tunnel originating on the Spine Layer in DC1 to the Spine Layer in DC2.
- D. a VPLS WAN connection between data centers.

Correct Answer: B

---

#### QUESTION 9

What are two valid types of VXLAN signaling? (Choose two.)

- A. EVPN
- B. RSVP
- C. RSTP
- D. MPLS

Correct Answer: AD

---

#### QUESTION 10

What happens when a packet is encapsulated by a VXLAN before being placed in the overlay?

- A. The QoS markings are placed in the VXLAN header.
- B. The VLAN-ID is placed in the VXLAN header.
- C. A VNI that maps to the VLAN-ID is placed in the VXLAN header.
- D. The TTL is decremented by two and placed in the VXLAN header.

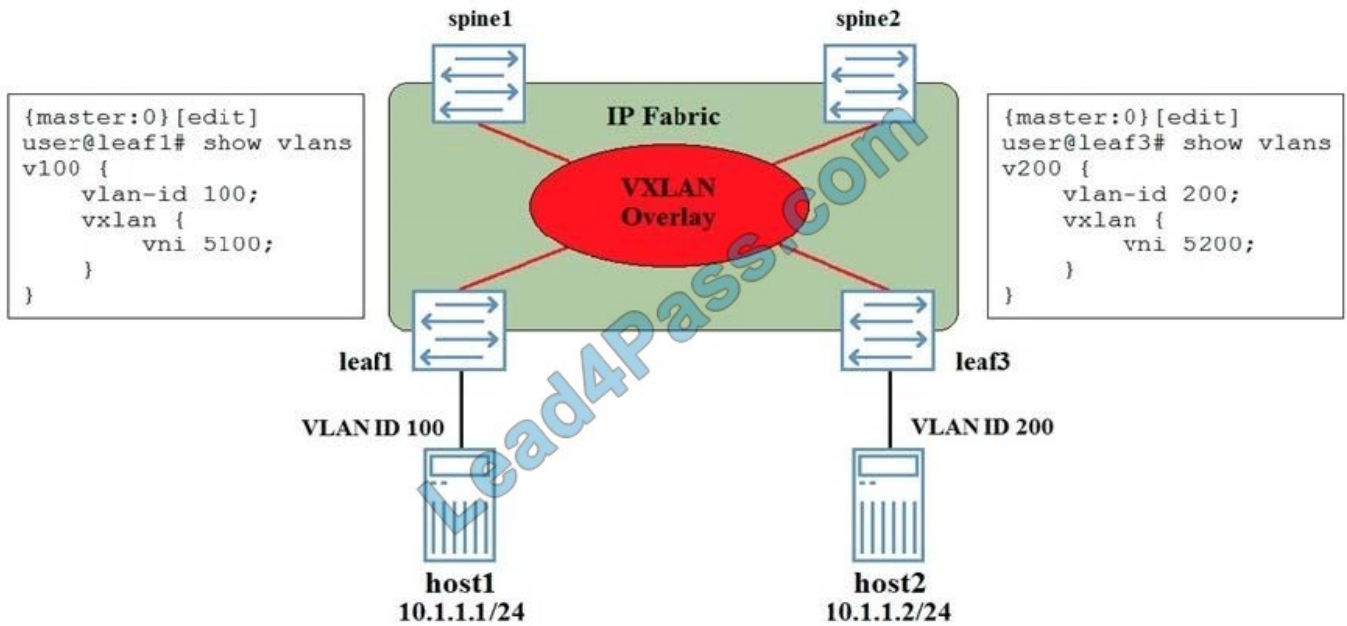
Correct Answer: C

---

#### QUESTION 11

Devices spine1 and spine2 have been configured as distributed Layer 3 gateways in the VXLAN topology, and devices leaf1 and leaf3 have been configured as Layer 2 gateways. Device host1 must be able to communicate with device host2.





Referring to the exhibit, which two statements are true? (Choose two.)

- A. An IRB interface must be configured on devices leaf1 and leaf2.
- B. Traffic from host1 to host2 will transit the VXLAN tunnel from leaf1 to leaf3.
- C. Traffic from host1 to host2 will transit a VXLAN tunnel to spine1 or spine2, then a VXLAN tunnel from spine1 or spine2 to leaf3.
- D. An IRS interface must be configured on devices spine1 and spine2.

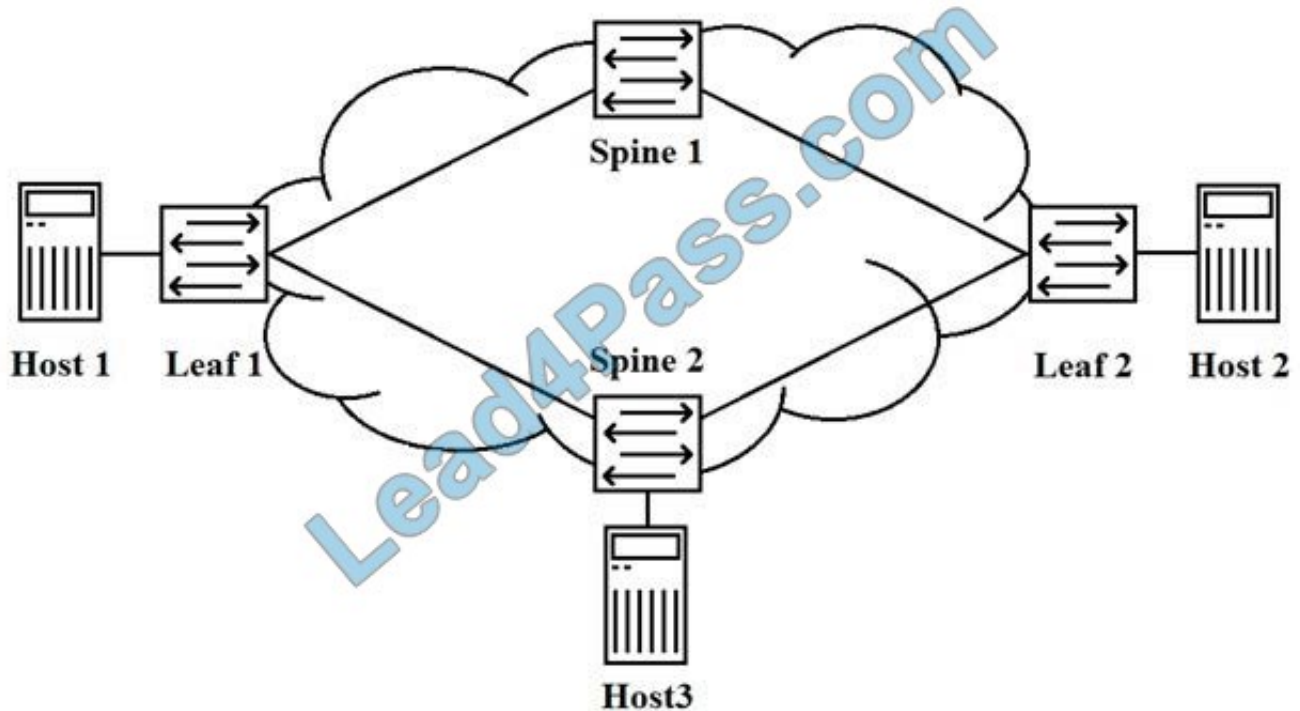
Correct Answer: CD

## QUESTION 12

Referring to the exhibit, Host 1 and Host 3 have exchanged traffic.



### IP Fabric EVPN-VXLAN Overlay



In this scenario, which statement is true?

- A. Leaf 2 does not learn Host 1's MAC address until Host 1 and Host 2 send traffic to each other.
- B. Leaf 2 learns Host 1's MAC address through periodic updates from Spine 2.
- C. Leaf 2 learns Host 1's MAC address when Host 3 learns Host 1's MAC address.
- D. Leaf 2 learns Host 1's MAC address when Leaf 1 queries Host 1.

Correct Answer: D

#### QUESTION 13

After configuring an IP fabric using EBGp as your routing protocol, you notice that not all of the routes are showing up in the routing tables. You have verified that all adjacencies have formed, and that all policies are in place and configured properly.

In this scenario, which statement is true?

- A. The routers have not been configured with the multipath multiple-as parameter.
- B. The routers have not been configured using the add-path parameter.
- C. The routers have not been configured using the bfd-liveness-detection parameter.



D. The routers have not been configured using the multihop parameter.

Correct Answer: D

[Latest JN0-681 Dumps](#)

[JN0-681 Exam Questions](#)

[JN0-681 Braindumps](#)



To Read the [Whole Q&As](#), please purchase the [Complete Version](#) from [Our website](#).

## Try our product !

100% Guaranteed Success  
100% Money Back Guarantee  
365 Days Free Update  
Instant Download After Purchase  
24x7 Customer Support  
Average 99.9% Success Rate  
More than 800,000 Satisfied Customers Worldwide  
Multi-Platform capabilities - [Windows](#), [Mac](#), [Android](#), [iPhone](#), [iPod](#), [iPad](#), [Kindle](#)

We provide exam PDF and VCE of Cisco, Microsoft, IBM, CompTIA, Oracle and other IT Certifications. You can view Vendor list of All Certification Exams offered:

<https://www.lead4pass.com/allproducts>

## Need Help

Please provide as much detail as possible so we can best assist you.  
To update a previously submitted ticket:



 <p><b>One Year Free Update</b> Free update is available within One Year after your purchase. After One Year, you will get 50% discounts for updating. And we are proud to boast a 24/7 efficient Customer Support system via Email.</p>	 <p><b>Money Back Guarantee</b> To ensure that you are spending on quality products, we provide 100% money back guarantee for 30 days from the date of purchase.</p>	 <p><b>Security &amp; Privacy</b> We respect customer privacy. We use McAfee's security service to provide you with utmost security for your personal information &amp; peace of mind.</p>
---	---	--

Any charges made through this site will appear as Global Simulators Limited.  
All trademarks are the property of their respective owners.  
Copyright © lead4pass, All Rights Reserved.